

Masport[®]

EXPORT ROTARY MOWERS

SERIES 18

Part Number

465804

Model

250ST SP 2'n1 OPC 19

Engine 765395 (502357)

Loncin LC1P65FE 139cc

Starting Serial Number: 8456823

Part Number

465804

Model

250ST SP 2'n1 OPC 19

Engine 502351

Loncin LC1P65FE 139cc

Serial Number Ranges: 8424085 ~ 8424134 & 8436451 ~ 8436500

Month and Year of First Manufacture: December 2019



Spares Version

Issue B.0
Nov 2021 PB
ECN # 04306
IPL Ref # 765804

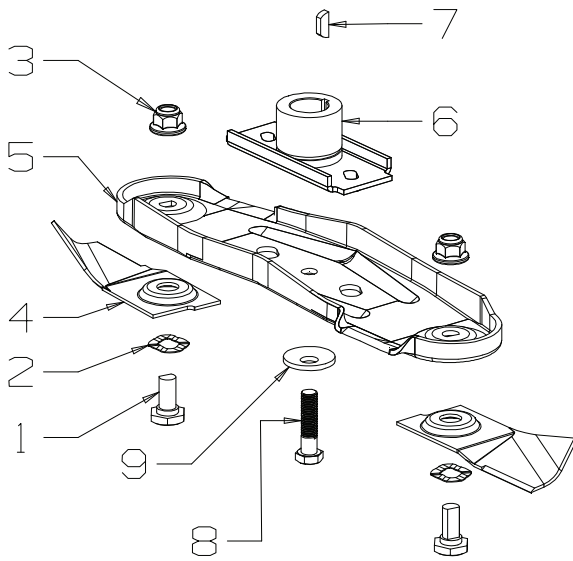


465804 S18 250ST
 SP 2'n1 OPC 19
 Spares Version



Issue B.0
 Nov 2021 PB
 ECN # 04306
 IPL Ref # 765804

460mm Blade Assembly

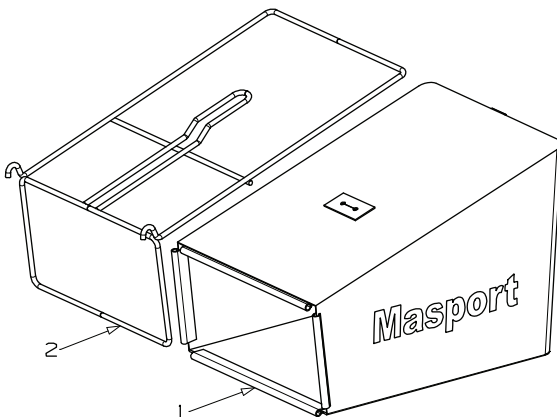


Item	Part No	Description	Qty
1	581707	Bolt- Pivot M10 x 22	2
2	580693	Washer, Wavy 13.4 x 24.2	2
3	503672	Nut, M10 Hex Nyloc Flange	2
4	583049	Blade- Quick Cut, 460mm Euro	2
5	980653	Carrier- Blade, Quick Cut	1
6	014173	Driver Assy- Blade , 7/8"	1
7	500636	Key, Woodruff-5/8" x 5/32" x 1/4"	1
8	503543	Bolt; Hex NF 3/8" x 1.5 NYG8	1
9	502297	Washer, Belleville 10 x 30 x 3.0	1

Blade & Bolt Sets

- 783690 Bolt Set, Inc Items 2 x 1, 2, 3
 783049 Blade- Quick Cut E460, Inc Items 2 x 1, 2, 3, 4

Catcher Assembly - 18"



Item	Part No	Description	Qty
1	567600	Bag Assy- Catcher, Masport 18" SP 1	1
2	567601	Frame Assy- Catcher, Fabric 18"	1

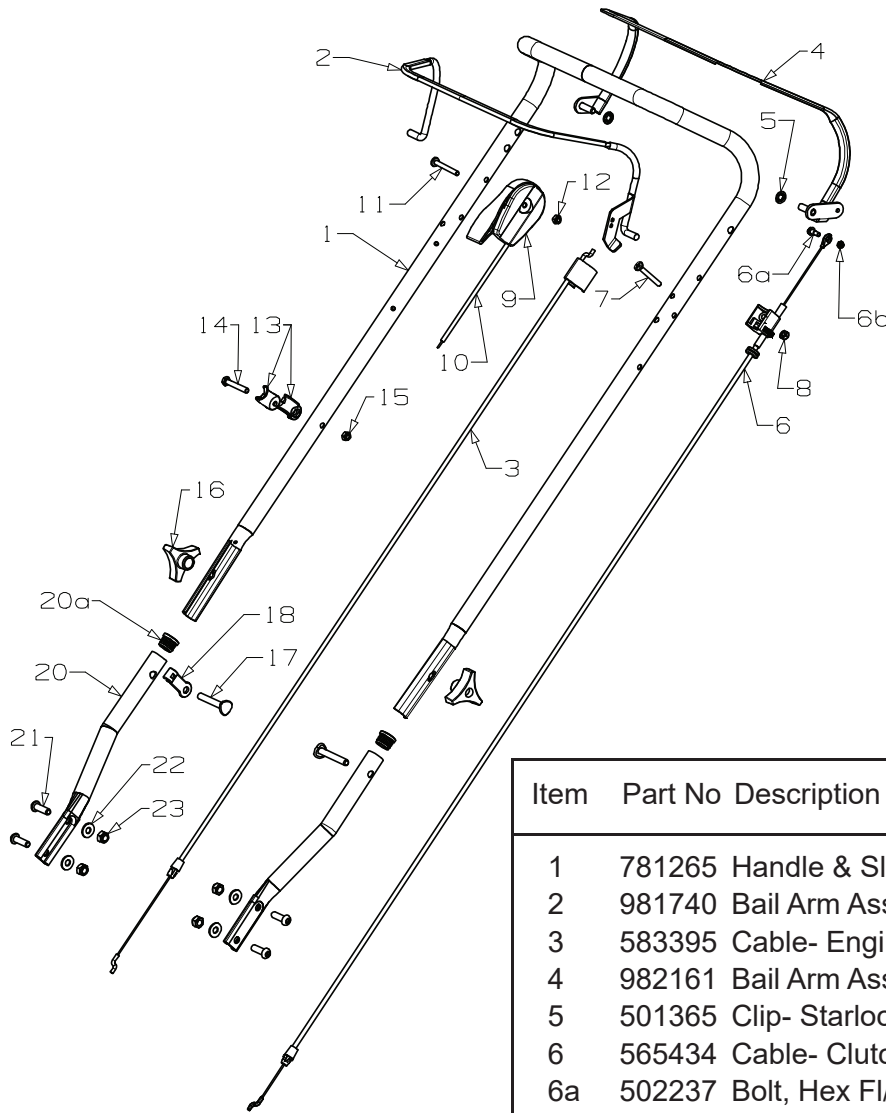
Replacement Fabric Catcher Assembly
 767599 Catcher Assy - Bag Masport 18" Black



465804 S18 250ST
 SP 2'n1 OPC 19
 Spares Version



Issue B.0
 Nov 2021 PB
 ECN # 04306
 IPL Ref # 765804



Not Illustrated

Item	Part No	Description	Qty
1	781265	Handle & Sleeve OPC/PVC/CHR	1
2	981740	Bail Arm Assy- OPC, Red	1
3	583395	Cable- Engine OPC, Push On	1
4	982161	Bail Arm Assy- SP, Red	1
5	501365	Clip- Starlock, 5/16"	2
6	565434	Cable- Clutch, Thumb Wheel G/Box	1
6a	502237	Bolt, Hex Fl/Head Shouldered M5	1
6b	502238	Nut, M5 Hex Nyloc x 5mm thick	1
7	503604	Screw, Pan M6 x 45	1
8	501764	Nut, M6 Hex Nyloc x 6mm thick	1
9/10	583458	Throttle Ctrl & Cable, Wescon	1
11	503604	*Screw, Pan M6 x 45	1
12	501764	*Nut, M6 Hex Nyloc x 6mm thick	1
13	703856	Comfort Start Kit	1
14	503794	*Screw, Set M6 x 40	1
15	501764	*Nut, M6 Hex Nyloc x 6mm thick	1
16/17	774230	Knob Lock assembly (2 per)	1
16	574230	*Knob- Plastic, M8 Insert	2
17	574218	*Bolt, SPH M8 x 53 x 35 Thread	2
18	581527	Retainer- Clutch, Cable	1
20	980692	Handle-Lower, Stub Black	2
20a	503319	Plug- 22mm Black Plastic	2
21	503643	Set Screw, M8 x 25 Btn/Head	4
22	501606	Washer, Flat 8 x 19 x 1.6	4
23	501793	Nut, M8 Hex Nyloc x 8mm thick	4

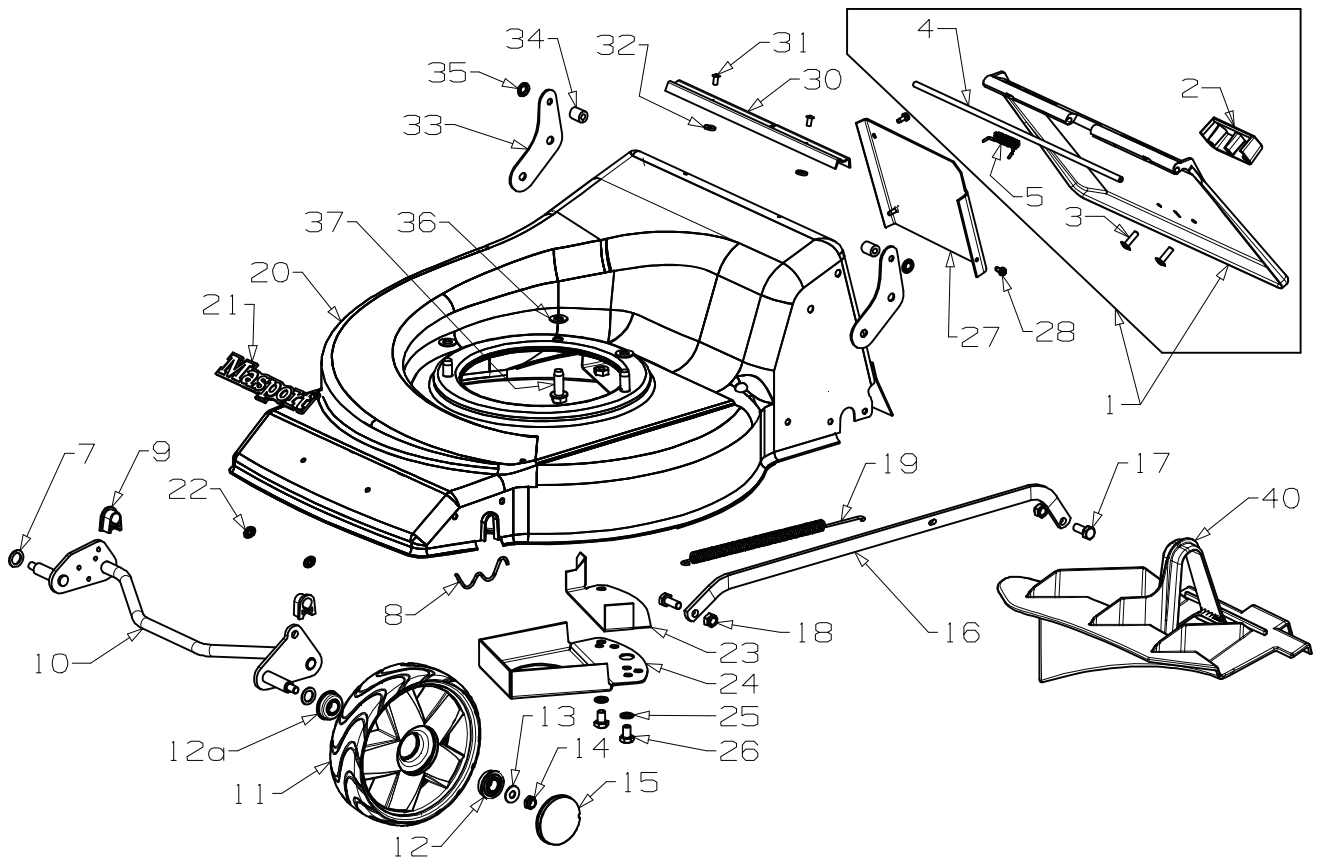
503054	Tie- Nylon Cable, Black	5
568665	Decal, HSG "EASY-DRIVE"	1
568669	Certificate of Conformity 250ST	1
569324	Owner Manual, Masport	1
571100	Decal, "Power Drive"	1
573162	Decal, HSG S18 250	1
573163	Decal, Noise S18 200 96db	1
580778	Stop- Rope	1
582049	Decal, Flap Caution	1
582062	Decal, Height Combo	1



465804 S18 250ST
 SP 2'n1 OPC 19
 Spares Version

Masport®

Issue B.0
 Nov 2021 PB
 ECN # 04306
 IPL Ref # 765804



Item	Part No	Description	Qty	Item	Part No	Description	Qty
1	764117	Flap Assy- Plastic,Fixed Handle	1	25	503747	*Washer, SPG 8	2
2	580602	*Handle - Flap	1	26	501863	*Screw, Set M8 x 12	2
3	503650	*Screw; S/Tapping #12 x 11/16"	2	27	573131	*Tunnel- G/Box Cover 18" ST	1
4	779732	*Wire-Flap Pivot 6mm x 377mm	1	28	503630	*Screw, S/T 10 x 0.4	3
5	581349	*Spring-Flap Stl Deck	1	30	583151	Dust Seal- Flap	1
7	503301	Washer; Flat 1/2 x 3/4 x 18g	2	31	581369	Rivet- Pop 4.0 x 3.2 73SS5-2	2
8	529674	Retainer-Axle W, Front	2	32	502170	Washer, Nylon 5 x 12 x 2.0	2
9	580030	Bush-Pivot, Front Axle	2	33	567585	Bracket- Flap	2
10	565495	Axle Assy- Front, 18" SP	1	34	579733	Spacer- Flap	2
11	579196	Wheel Assy-175mm Spoked Silver (Includes 2 x 551212 per wheel)	2	35	503574	Clip- Starlock, 6mm dia	2
12	551212	Bearing- Wheel	2	36	501704	Washer, Flat 10 x 19 x 1.6	3
12a	579694	Bearing- Wheel, Plastic	2	37	580453	Screw, S/T 3/8" x 1-1/8"	3
13	501606	Washer, Flat 8 x 19 x 1.6	2	40	573278	Insert- Mulching, 18" T Stl	1
14	503831	Nut, M8 Hex Nyloc x 6mm thick	2	Not Illustrated			
15	579198	Hub Cap, Button, Spoked Silver	2	765395	Loncin LC1P65FE 139cc (502357)	1	
16	567574	Rod- Connecting, 18" SP	1	Above engine used from S/Number 8456823			
17	501597	Screw, Set M8 x 20 Hex	2	502351	Loncin LC1P65FE 139cc (502351)	1	
18	501793	Nut, M8 Hex Nyloc x 8mm thick	2	Above engine used on S/Numbers: 8424085 ~ 8424134 & 8436451 ~ 8436500			
19	581463	Spring- Counter Balance Non-SP	1				
20	767569	Hsg- Stl T 18" ODS SP TTNM	1				
21	581240	*Nameplate MASPORT	1				
22	503150	*Clip- Starlock, 5 Dia	2				
23	565280	*Cover- Belt, SPV 18" STL SYN	1				
24	567412	*Cover- Belt, SPV 21" SYNCRO	1				

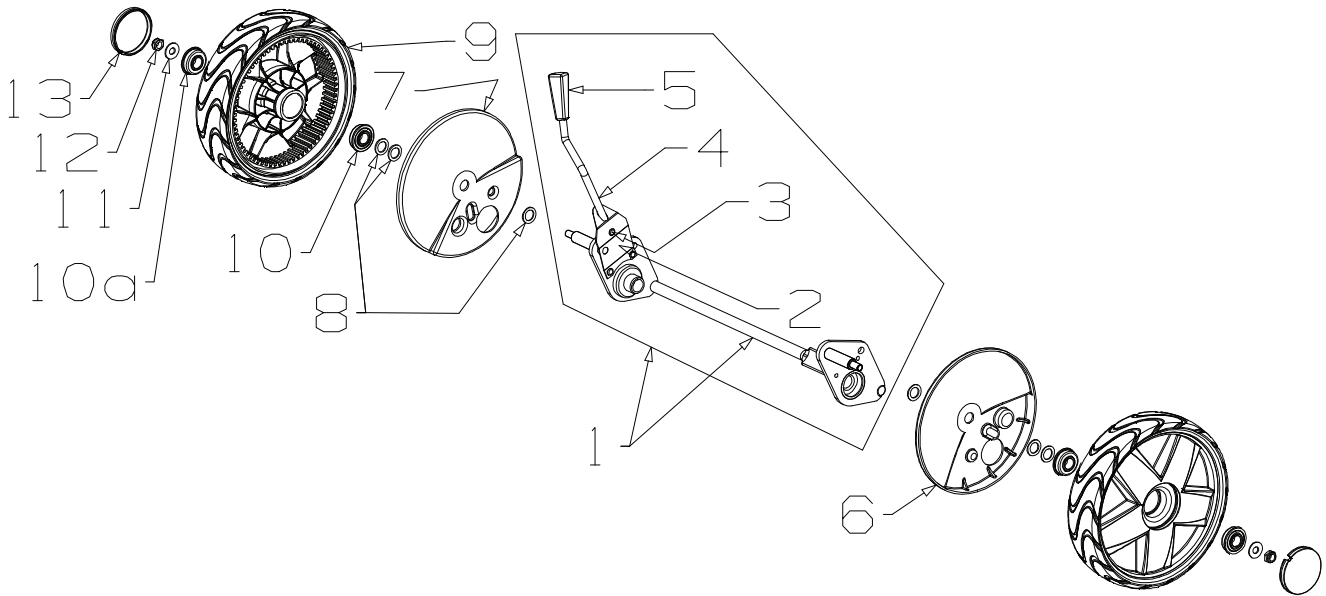
When ordering spares: PLEASE QUOTE PART NUMBER & DESCRIPTION, NOT illustrated number. Item Qty = 1 per part unless stated differently.
BOLD TEXT = Assemblies. Descriptions starting with * = items included in the assemblies & may not be available as a spares item.
 Determine the left or right hand sides by standing in the operating position (standing at the handle).



465804 S18 250ST
 SP 2'n1 OPC 19
 Spares Version



Issue B.0
 Nov 2021 PB
 ECN # 04306
 IPL Ref # 765804



Item	Part No	Description	Qty	Item	Part No	Description	Qty
1	765496	Axle Assy- Rear Drive, 18"SP	1	10	579694	Bearing- Wheel, Plastic	2
2	580649	*Spring Leaf	1	10a	551212	Bearing- Wheel	2
3	503373	*Rivet-F/HD3/16"x27/64"	3	11	501606	Washer, Flat 8 x 19 x 1.6	2
4	980733	*Rod-Height Selector (Sq) ZP	1	12	503831	Nut, M8 Hex Nyloc x 6mm thick	2
5	580056	*Knob- Height Lever, Square Black	1	13	579198	Hub Cap- Button Spoked Silver	2
6	567597	Cover Dust RH + LH 250 ST SP	1				
7	567597	Cover Dust RH + LH 250 ST SP	1				
8	503301	Washer; Flat 1/2 x 3/4 x 18G	6				
9	567568	Wheel Assy-200mm SP, Silver (Includes 2 x 551212 per wheel)	2				

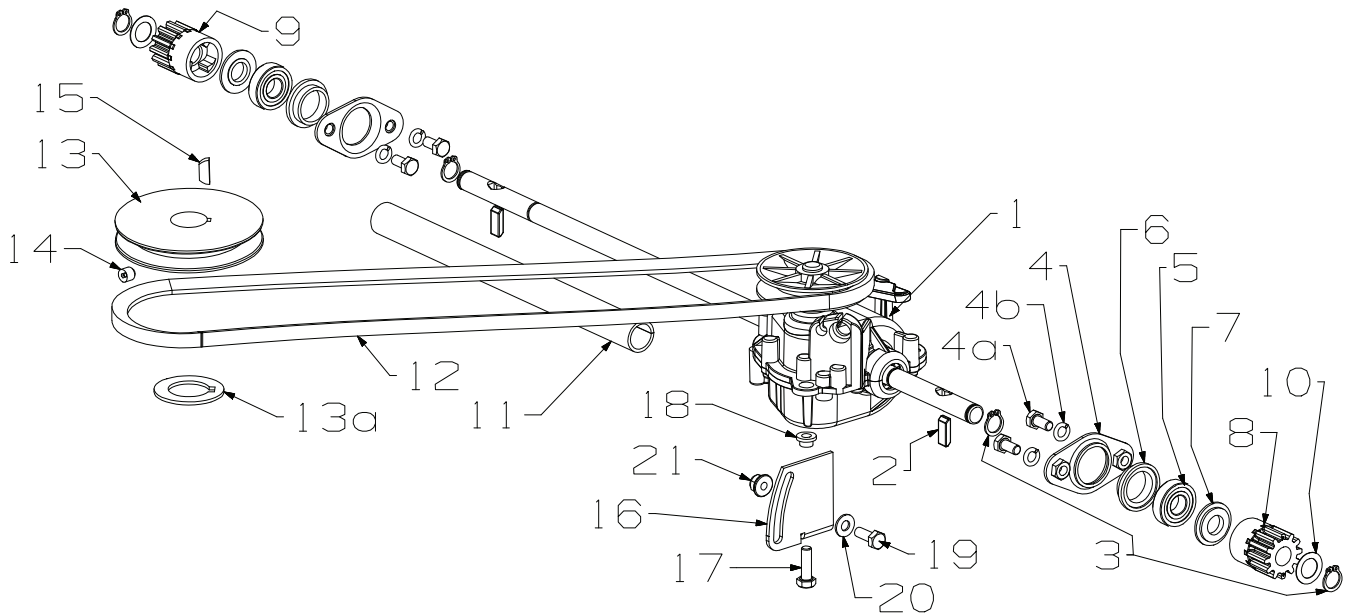
When ordering spares: PLEASE QUOTE PART NUMBER & DESCRIPTION, NOT illustrated number. Item Qty = 1 per part unless stated differently.
BOLD TEXT = Assemblies. Descriptions starting with * = items included in the assemblies & may not be available as a spares item.
 Determine the left or right hand sides by standing in the operating position (standing at the handle).



465804 S18 250ST
 SP 2'n1 OPC 19
 Spares Version



Issue B.0
 Nov 2021 PB
 ECN # 04306
 IPL Ref # 765804



Please Note: RH pinion must be installed on the left side,
 LH pinion must be installed on the right side.

Item	Part No	Description	Qty	Item	Part No	Description	Qty
1	567358	Gearbox- Single SP Synchro	1	13	568656	Pulley- Engine, 7/8"b x 89d x 26h	1
2	581092	Pawl Pinion, 950SP	2	13a	569552	Spacer- Pulley, Eng 25 x 42 x 2	1
3	503759	Circlip, 12EXT DIN 471	4	14	503386	Screw, Grub M8 x 8	1
4	568601	Retainer Axle Rear 18" ST SP	2	15	500636	Key- W/Ruff 5/8 x 5/32 x 1/4	1
4a	501959	Screw, Set M6 x 12	4	16	557459	Mount- Gearbox 18" ST SP	1
4b	500201	Washer, SPG 6	4	17	501600	Screw, Set M6 x 20	1
5	503901	Bearing, Ball 12x28x8 6001-2RSH	2	18	564093	Bush- G/Box Mount, ST Synchro	1
6	568600	Bush- Pivot, Rear Axle	2	19	501702	Screw, Set M6 x 16	1
7	568603	Cap- Pinion, SP	2	20	501703	Washer, Flat 6 x 14 x 1.2	1
8	569179	Pinion - R/H,12 Teeth	1	21	503973	Nut, M6 Hex Nyloc Flanged	1
9	569178	Pinion - L/H,12 Teeth	1				
10	503102	Washer, Flat 12 x 20 x 0.4	2				
11	580614	Sleeve- Rear Axle	1				
12	574401	Belt-V HC VEXTRA XPZ 787 Gates	1				

When ordering spares: PLEASE QUOTE PART NUMBER & DESCRIPTION, NOT illustrated number. Item Qty = 1 per part unless stated differently.
BOLD TEXT = Assemblies. Descriptions starting with * = items included in the assemblies & may not be available as a spares item.
 Determine the left or right hand sides by standing in the operating position (standing at the handle).